

Automation platforms

Modicon Quantum Hot Standby

Need a *backup parachute?*



Modicon Quantum Hot Standby

Take your precautions!

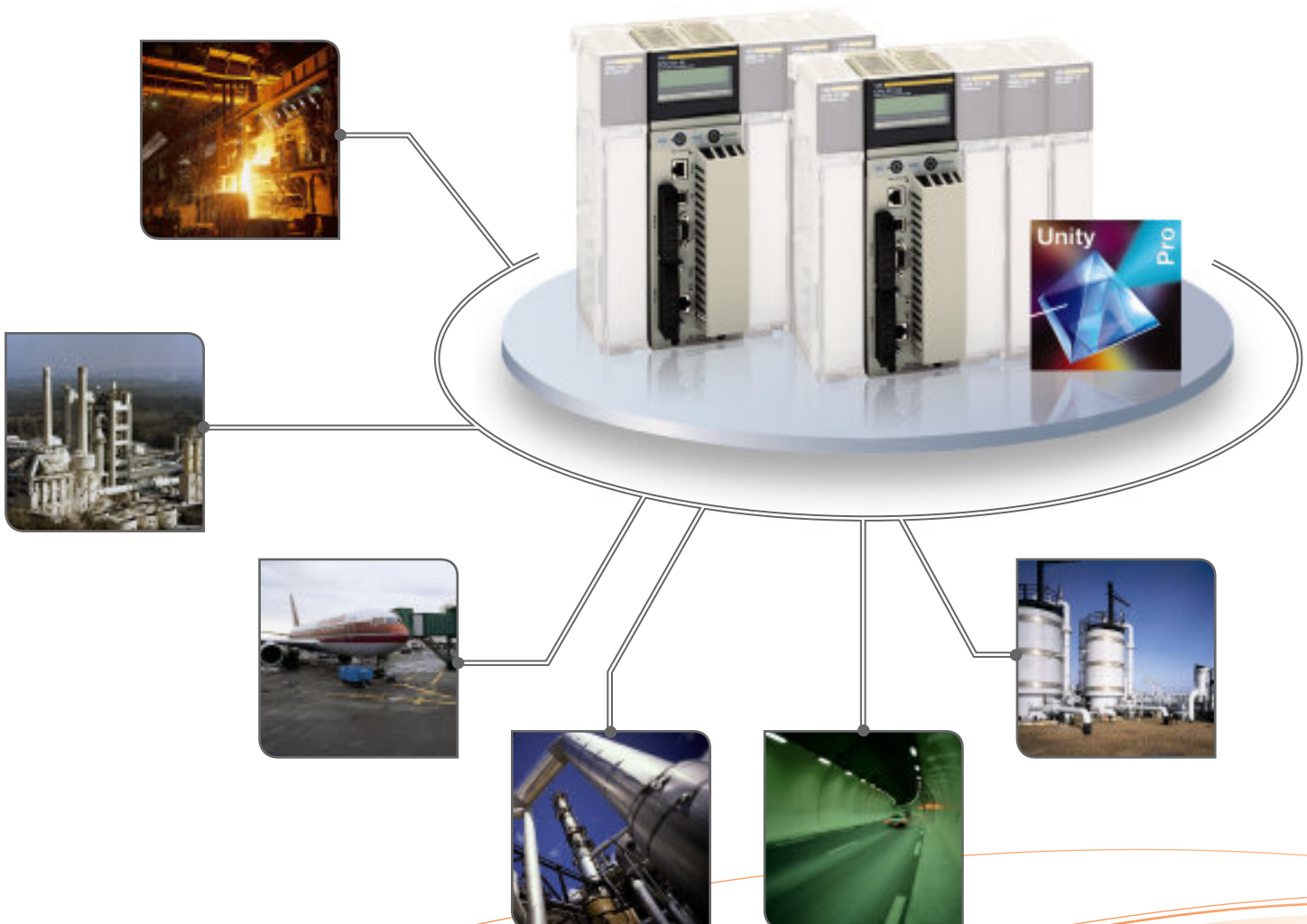
The Hot Standby Modicon Quantum processor is designed for your critical applications that require high control system availability and for which interruptions are unacceptable.

The Hot Standby Quantum system offers **remarkable** computing and switchover **performance**.

Based on a system of automatic context changes at each cycle between Primary and Secondary, Hot Standby Quantum is permanently ready to take over **with total transparency**.

Choosing the Hot Standby Quantum system is to opt for long-term investment and to **optimize your production process**.

You therefore eliminate interruptions, keep control of your installation and avoid a nasty fall...



Higher productivity from design to operation!

Retain your usual development and installation habits

Unity Pro, programming simplicity in Hot Standby

Now you can start a redundant application as easily as a mono-CPU automation application. Thanks to Unity Pro, no need for specific programming at redundancy. You benefit from a user-friendly, IEC 61131-3 environment, retaining your usual development habits.

Smooth installation

Transfer of a primary application to the secondary is automatic in both installation and operating phases. In addition, hardware configuration remains the same as for standard Modicon Quantum.

Doubly efficient in operating phase

For simple, reliable operation

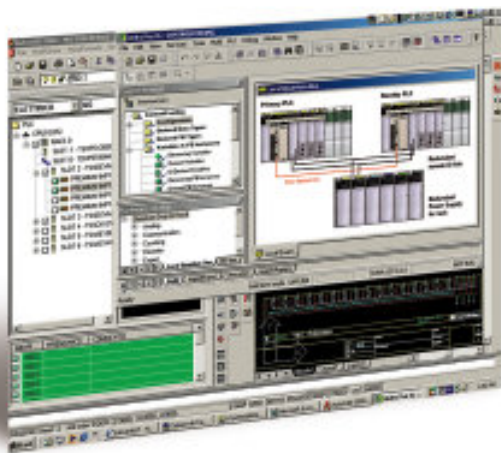
You use Modicon Quantum standard modules as you wish: backplane cards, power supplies, input/output modules, Ethernet cards and cables. Only the processor is dedicated to the Hot Standby function.

To optimize your process control

Unity Pro offers «online change» functions to update your application parameters simply and securely without interrupting your process. Thanks to automated IP address management («IP swapping») between primary and secondary, switchover of the processor is transparent for supervision at SCADA level, thus simplifying its installation and development of its application.

Simplified PLC maintenance without production shutdown

The «hot swap» capability of input/output modules associated at multiple redundancy levels (processors, cables, input/output modules, power supply) offer you easy maintenance without halting production.



> Availability



> Ruggedness



> Permanence

Quantum

Schneider Electric, your ideal partner

Ruggedness proven over time

Associated with Schneider Electric worldwide, the ruggedness recognized by Quantum users guarantees maximum working life of your installation.

Choice of openness

Choosing Schneider Electric as a partner means opting for openness. The networks and standard Ethernet TCP/IP architectures used ensure freedom of choice for permanence of your hardware investment.



Winning associations

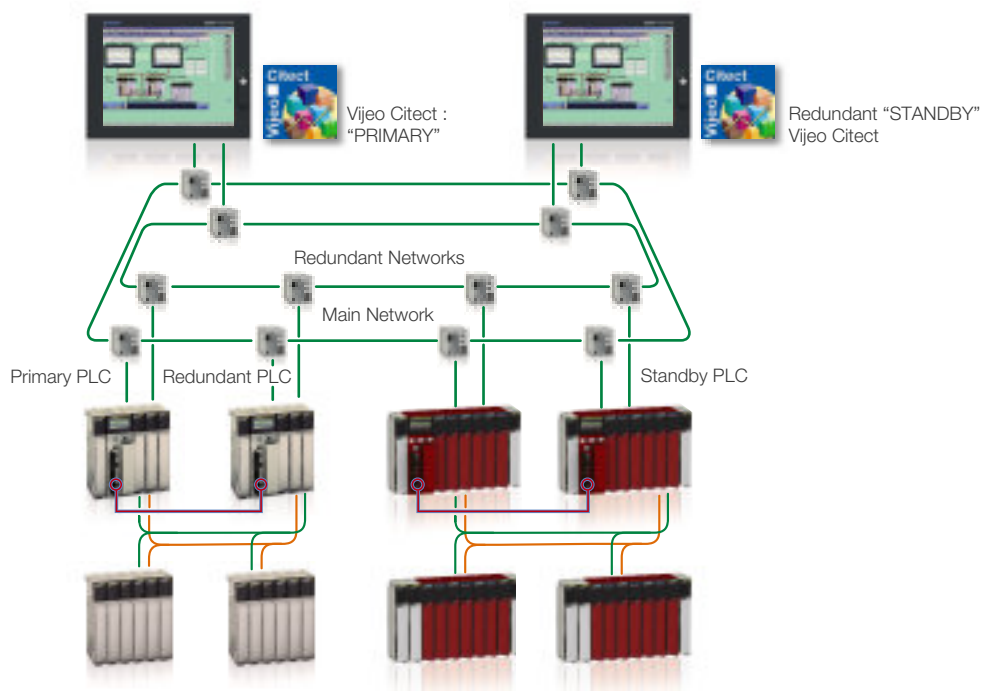
> SCADA redundancy solution

Play the winning card by associating Quantum Hot Standby architecture with the Vijeo Citect SCADA redundant offer. Based on automatic synchronization of servers for instant control switchover, you keep permanent control of your production.

> High security solution

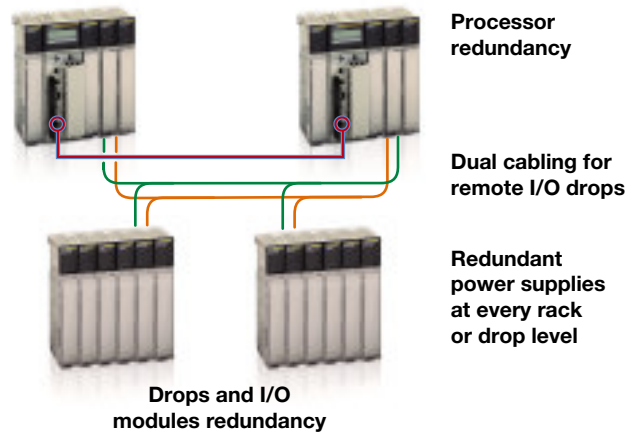
Combine reliability and high availability by choosing the Modicon Quantum Hot Standby security offer.

Redundant supervisors and servers



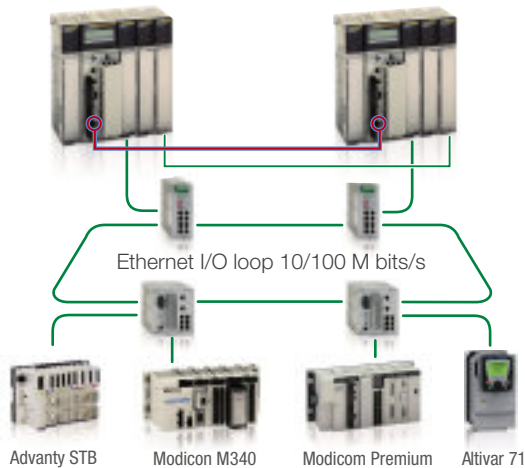
Typical architecture

Robust, approved and validated architecture with redundancy from bottom to top of your installation.



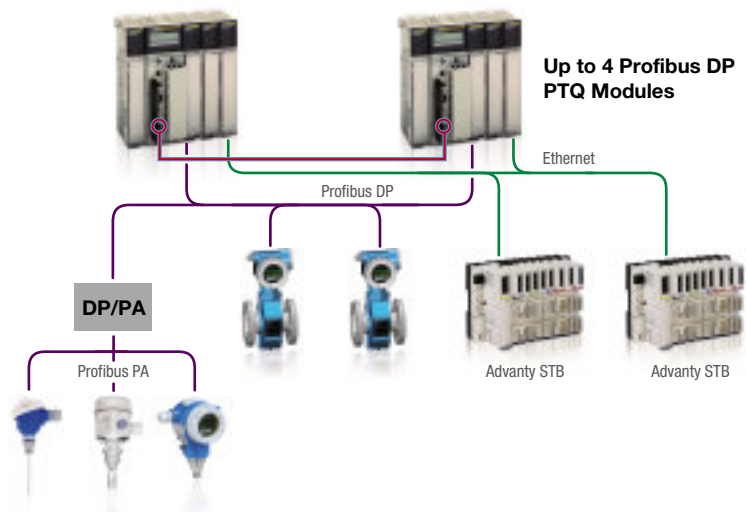
Ethernet architecture

Opt for universal technology, long term security of future development of your installation.



Profibus DP/PA architecture

Mix standard architecture, Ethernet and Profibus, field bus particularly adapted to applications in explosive environments.



The efficiency of Telemecanique branded *solutions*

Used in combination, Telemecanique products provide quality solutions, meeting all your **Automation & Control** applications requirements.



A worldwide presence

Constantly available

- More than 13,000 points of sale in 190 countries.
- You can be sure to find the range of products that are right for you and which complies fully with the standards in the country where they are used.

Technical assistance wherever you are

- Our technicians are at your disposal to assist you in finding the optimum solution for your particular needs.
- Schneider Electric provides you with all necessary technical assistance, throughout the world.

www.telemecanique.com

Schneider Electric Industries SAS

Head Office
89, bd Franklin Roosevelt
92506 Rueil-Malmaison
Cedex
FRANCE

www.schneider-electric.com

Owing to changes in standards and equipment, the characteristics given in the text and images in this document are not binding until they have been confirmed with us.

Design: pemaco
Photos: Schneider Electric
Print: